

# Sten Shelf

## Assembly Instructions



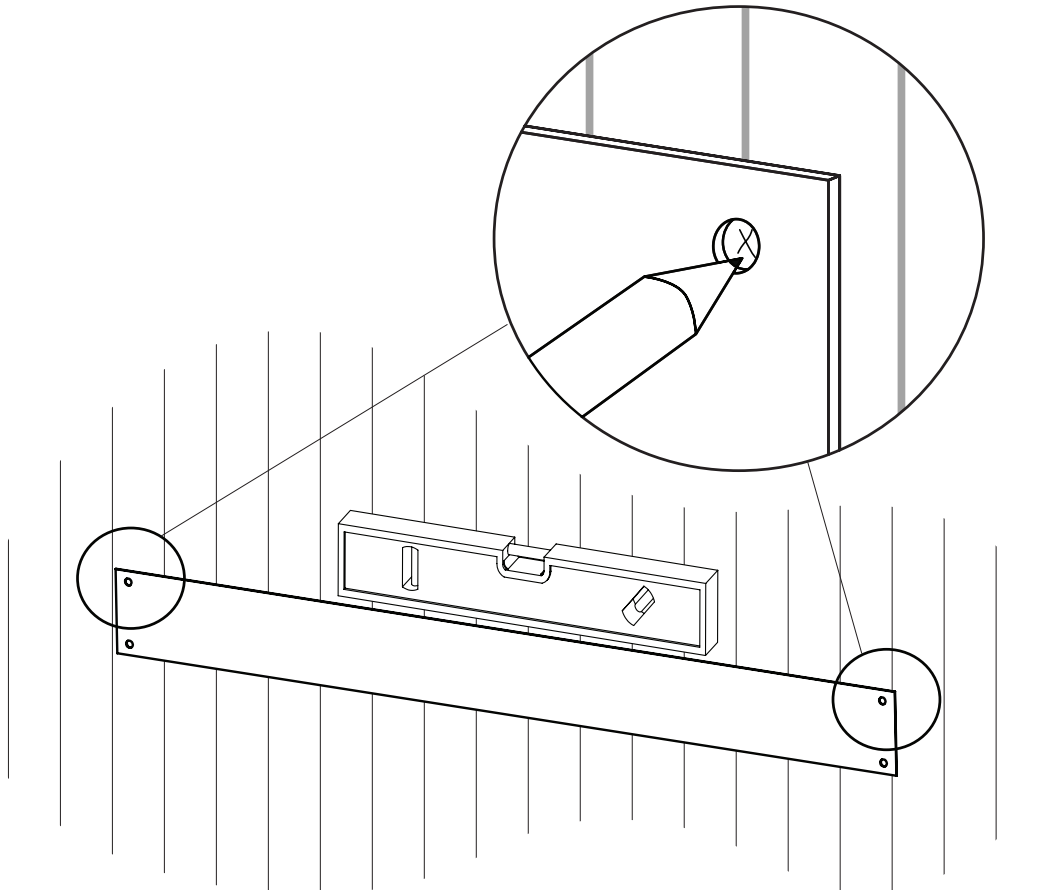
**normann**

C O P E N H A G E N

---

1

**NOTE!** It is very important that the shelf be assembled by at least two people to avoid potential damage to the shelf, particularly when mounting it onto the wall.



---

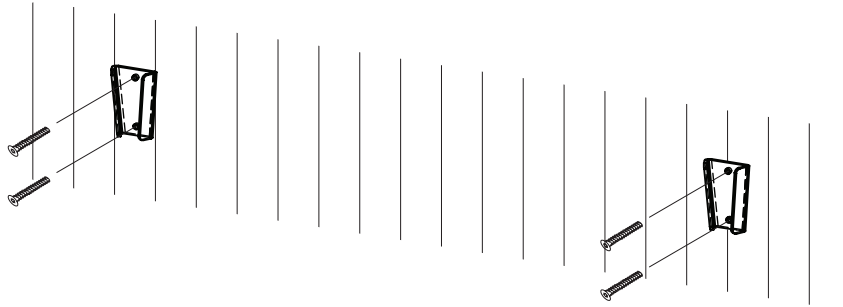
**normann**

C O P E N H A G E N

---

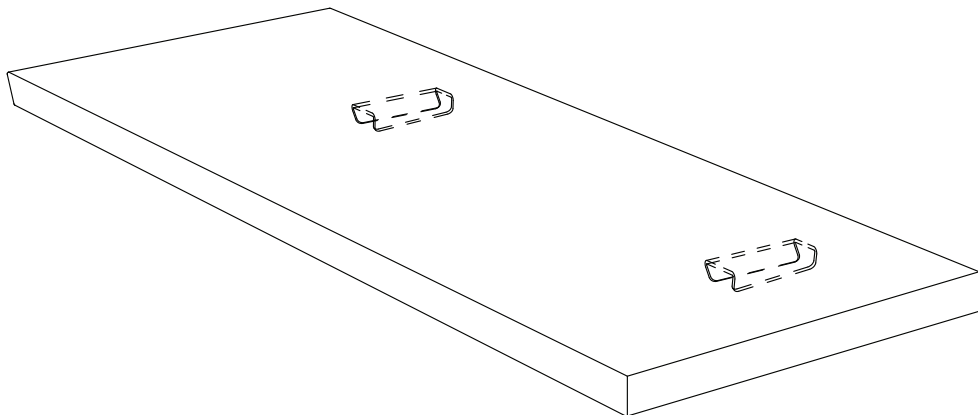
## 2

If the surface of the wall is not smooth, washers should be used when installing the shelf to even out the hanging surface. If in doubt, a local professional technician should be contacted to help with the installation.



---

## 3

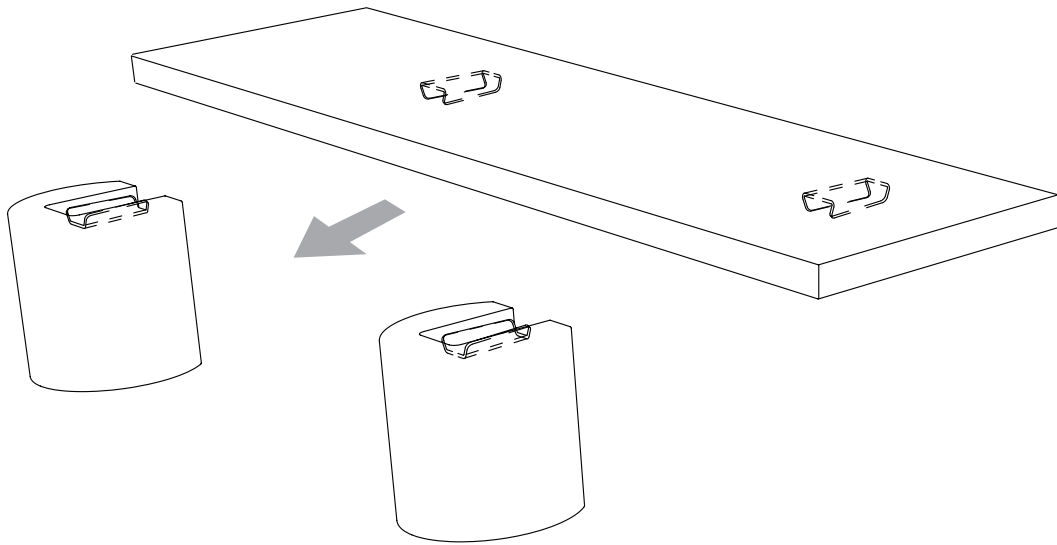


---

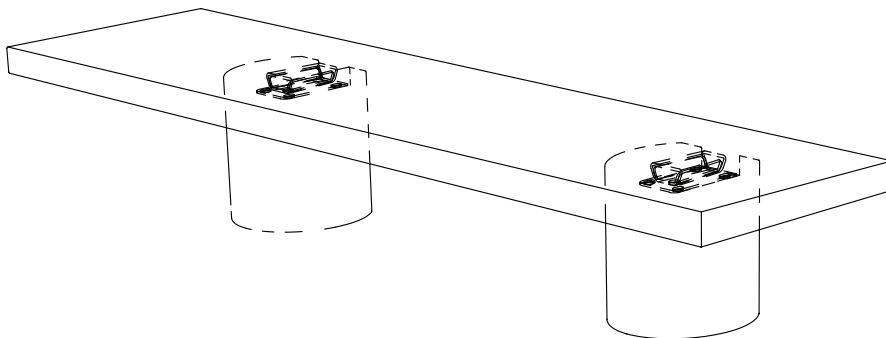
**normann**

C O P E N H A G E N

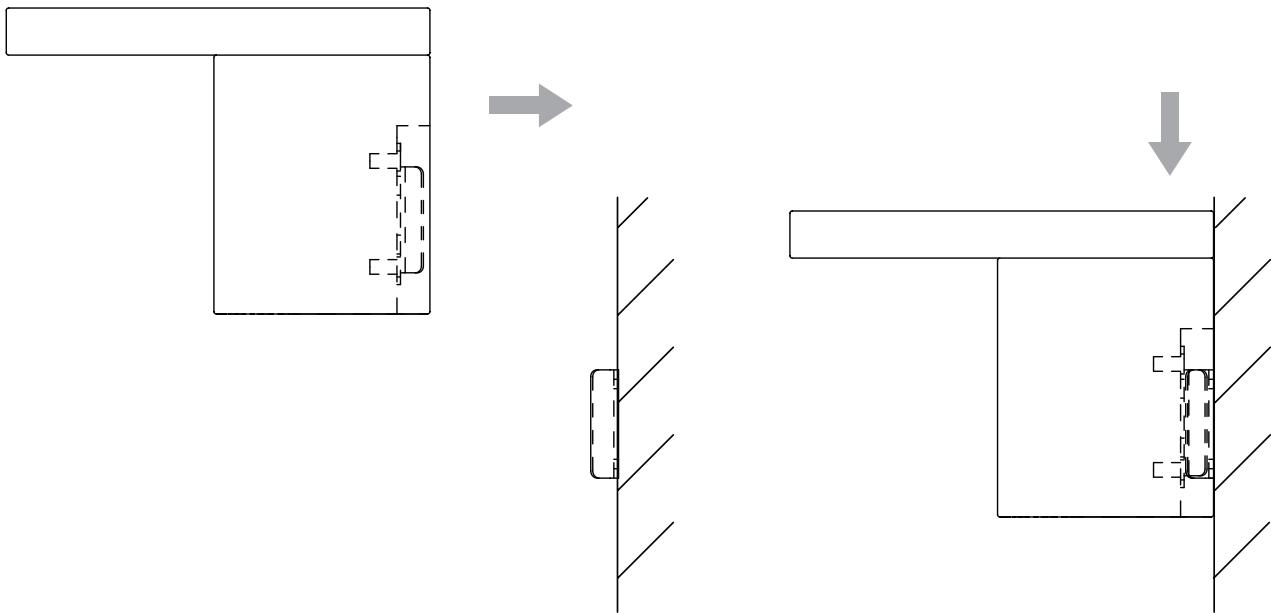
4



5



6



**NOTE! Load weight should be distributed evenly and with a maximum weight of 5kg for the 80 cm shelf and 8kg for the 120 cm shelf**